

# FOSCARINI



## Supernova Suspension

*Ferruccio Laviani*

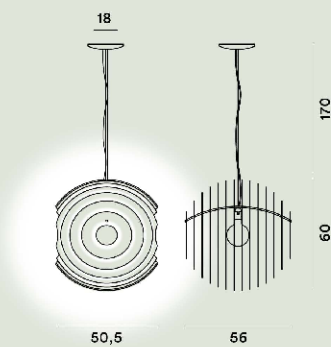
2000

A surprising spherical volume created by assembling two-dimensional planes: 7 pairs of different disks, attached to a rod. The particular design of the metal disks creates a fascinating effect of reflected light and shadows. The light source at the centre is like the incandescent nucleus of a planet.

---

### Supernova Suspension Ptl

---

**Color**

Aluminium, Fuchsia

**Material**

Natural aluminium|Lacquered aluminium

**Light Source**

Bulb not included E27 150W Max ON-OFF

**Weight**

kg 8

**Certifications**

CE IP 20