

FOSCARINI

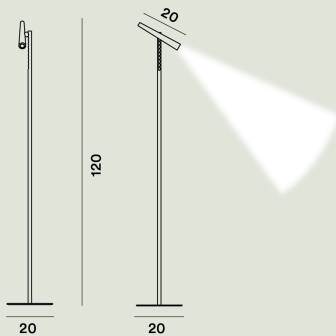


Magneto Reading

Giulio Iacchetti
2011

The invisible force of a spherical magnet connects the stem to the compact diffuser, allowing it to be directed like a torch. Its intense, concentrated and focused light can be easily directed at will, perfect for reading or for a diffused lighting effect.

Magneto Reading LED

**Color**

White, Black

Material

Coated steel, ABS and super magnet made of "rare earth"

Light Source

LED included 5 W 2700 K 475lm CRI >80 On-Off

Weight

kg 2,8

Certifications

CE  IP 20